



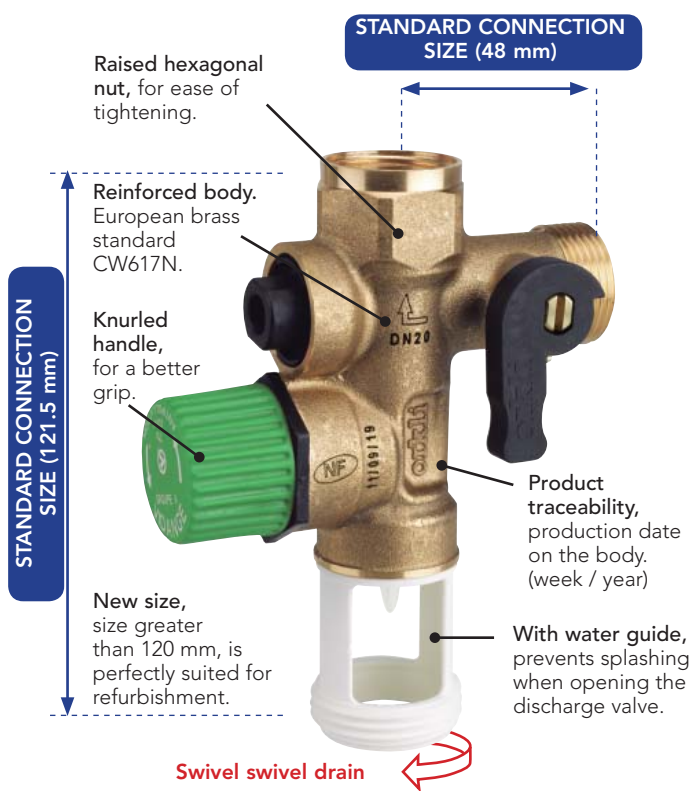
SAFETY UNIT

The safety units are designed to perform the following functions.

1. To prevent the water pressure in the tanks from reaching dangerous levels.
2. To avoid hot water returning to the cold water circuit and contamination of the water in the storage tank with discharged water.
3. To isolate the domestic cold water network and to allow maintenance and control of the tank and the installation.

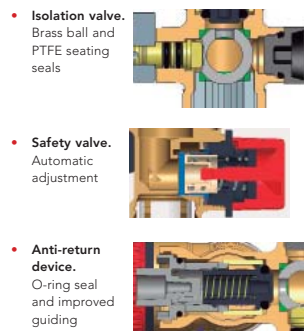


BENEFITS & DESIGN



CHARACTERISTICS

- Relief valve pressure: 7 bar ± 0.35 bar
- Maximum operating temperature 85°C
- Automatic adjustment
- Sealing of the non-return valve with O-ring
- Water inlet: standard 48 mm
- Trap with deflector to avoid splashes when opening the safety valve
- To avoid the accumulation of limescale deposits on the safety valve seating, the special anti-limescale model is protected by a PTFE coating that guarantees correct operation, even in the presence of corrosive or hard water.



MATERIALS

Body	Brass EN 12165 CW617
Ball	Brass EN 12165 CW617
Sealing joints	EPDM 70 PEROX
Ball seatings	PTFE
Valve lever	6-6 30% FV polyamide

FEATURES



More comfortable operating handle with the option of operating with a screwdriver.



3/4" connection to the water heater with a sturdy external hexagon.



Larger safety valve handle for effortless handling.

CERTIFICATES





RANGE OF PRODUCTS AND APPLICATIONS

Water quality →		Fresh water	Hard water
Type of water heater	Connection	References	
		Standard Series	Universal Series (anti-limescale)
Standard Max. 10 kW + Small capacities Max 4 kW	Vertical Mounting	3/4" + (racord 1/2")	GS1130000
	Horizontal Mounting		GS21300001
Standard Max. 10 kW	Vertical Mounting	3/4"	GS1330000
	Horizontal Mounting		GS23300001

STANDARD SERIES



Straight Vertical mounting

3/4 Ref: GS1110000
1/2 Ref: GS1130000



Angled, Horizontal mounting

3/4 Ref: GS1310000
1/2 Ref: GS1330000

UNIVERSAL SERIES (anti-limescale)



Straight Vertical mounting

3/4 Ref: GS21100001
1/2 Ref: GS21300001



Angled, Horizontal mounting

3/4 Ref: GS23100001
1/2 Ref: GS23300001

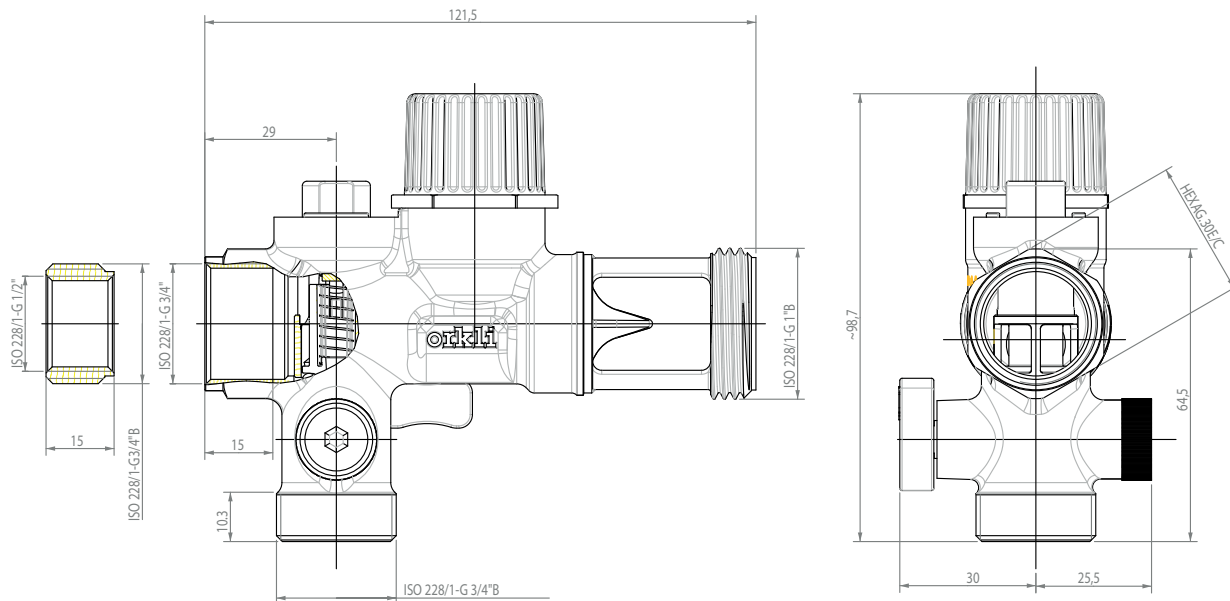
ACCESSORIES



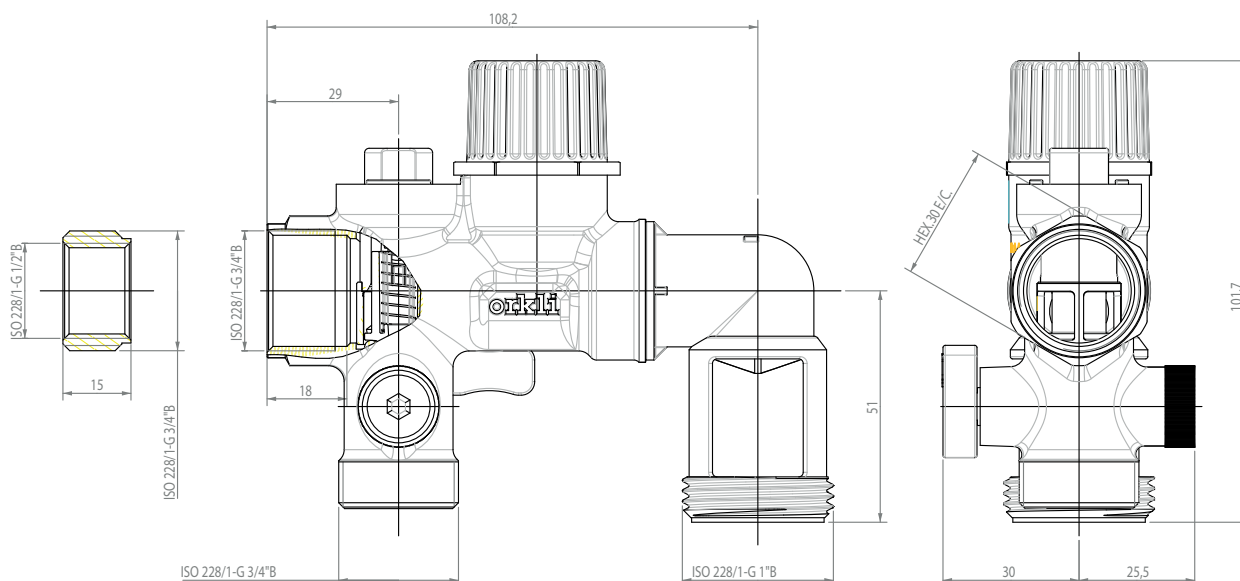
Siphon
Ref: E-12236

DIMENSIONS

VERTICAL SAFETY GROUP



HORIZONTAL SAFETY GROUP

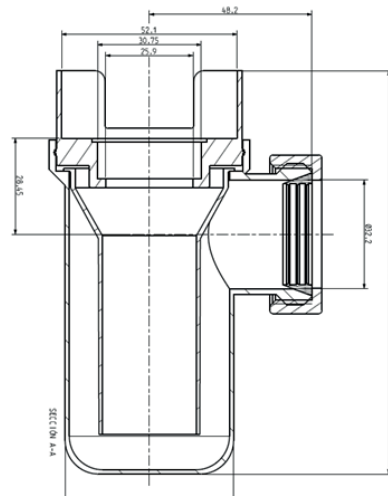




SAFETY GROUP SIPHON

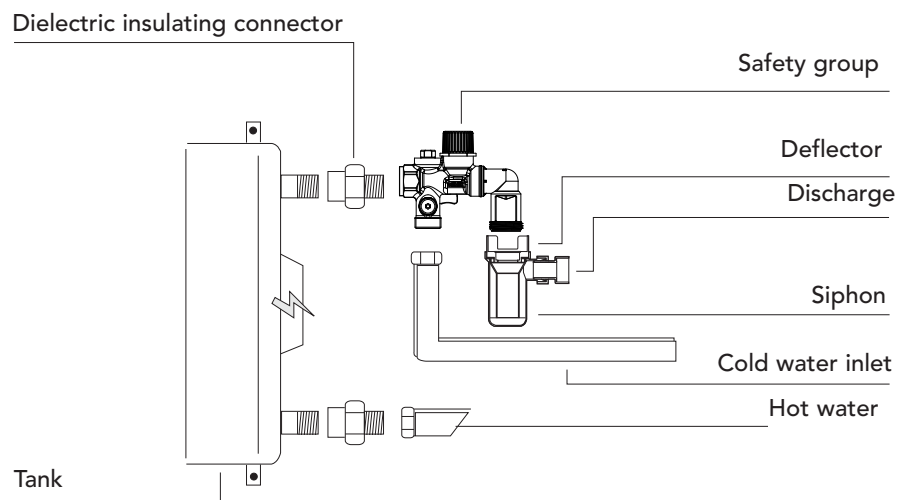
Accessory	Reference	EAN Code
Siphon	E-12236	8426562006571

• Installation Instructions



• INSTALLATION DIAGRAM

HORIZONTAL MOUNTING



VERTICAL MOUNTING

